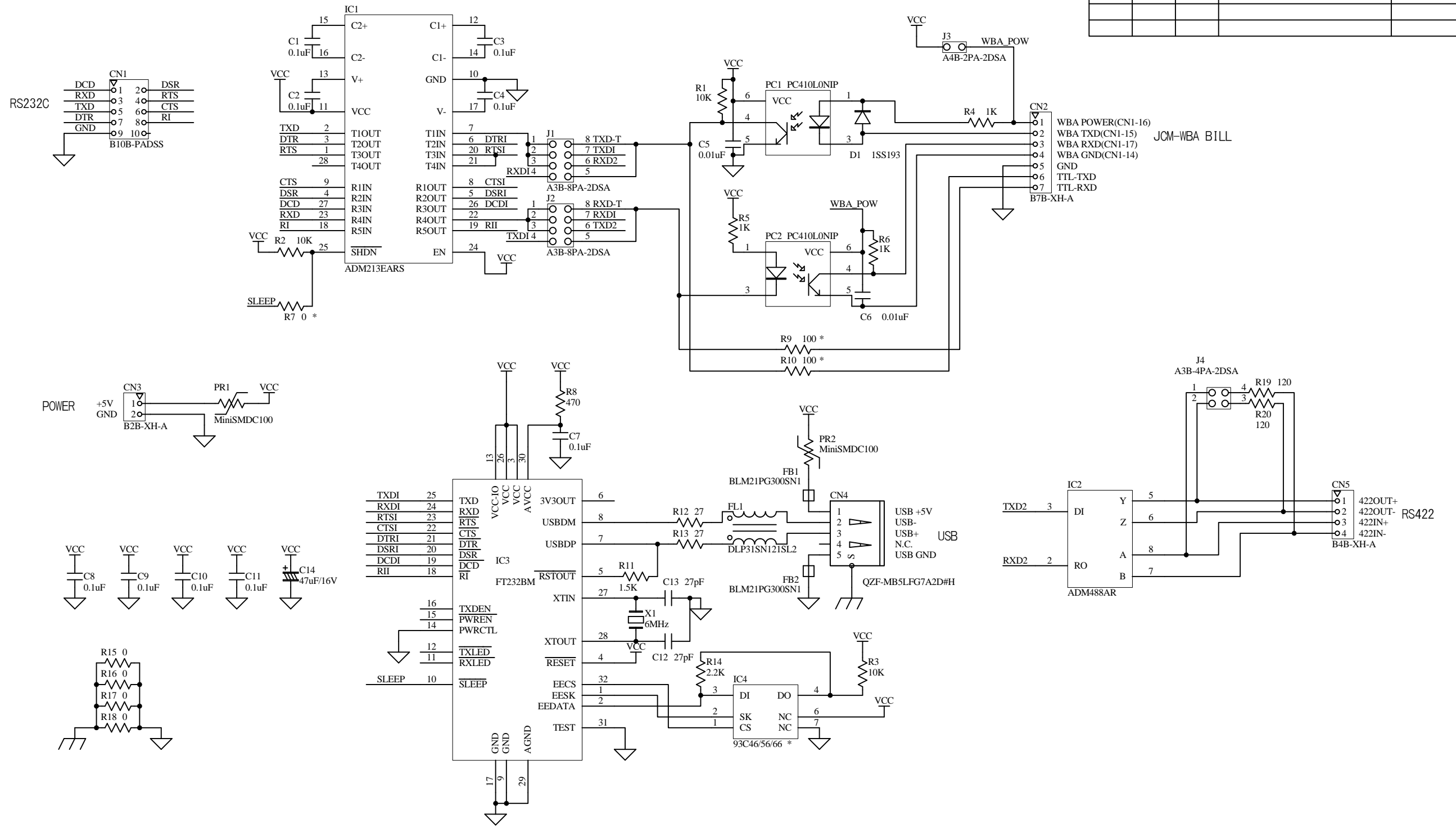


REVISIONS					
MARK	SHEET No.	QTY	CLASSIFICATION No.	DATE	NAME



(出図印)		(発行印)		SIZE <b>A3</b>	MATERIAL	THK
				ANGLE 	FINISH	CODE INDENT NO. SCON PCB
				UNIT mm	NAME SCON PCB	
				SCALE /	YU2054-12	
APPROVED	CHECKED	CHECKED	DESIGNED	DRAWN	STANDARD	
			09/26/2003 Y. UENO	09/26/2003 Y. UENO		
YU Elec,inc.					PART NO. YU2054-12	SHEET -